

High quality boiler stoves and fireplace inserts



**AQUAFLAM**

**Aquaflam**  
boiler stoves and fireplace inserts

- + **damper to regulate** chimney draft
- + **cooling loop in every insert**
- + **easy to connect** water tapplings from both sides

1

- **secondary combustion** (ensures clean glass and perfect combustion of gases thanks to a special inlet for secondary and tertiary air)
- **glass air wash** using preheated air
- highly **resistant glass**

2

- **primary air inlet** (basic inlet that is necessary when making the fire and which comes in under the grate)
- **ash pan** (for easy cleaning)

3

- **firebrick-free technology** (due to the absence of a firebrick lining, there is a better transfer of heat to the exchanger)

- water inlet and outlet from/into the exchanger possible on both sides
- **cooling loop** as standard for each model
- two outlets for sensor connection



The inserts and stoves meet the strictest **CE** standards  
(EN 13240, BlmSchV - Stufe 2, 15a B-VG, DINplus)

+ The front frame of the insert can be disassembled for easy installation

## Aquaflam boiler stoves and fireplace inserts

6

▪ **external air inlet** (thanks to the Eko-Air-In, the primary, secondary and tertiary air is delivered from a single location)



5

- cleanliness of glass is ensured by the **dual air wash**
- the glass is supplied by Germany's largest manufacturer
- **prismatic**, panoramic glass is manufactured from a single piece
- types of glass: **flat, panoramic, prismatic**

### The Eko-Air-In System

4

This system provides a central air supply from the outside. The combustion process is regulated with one rod. The **Eko-Air-In** system also ensures that gasses won't explode by providing a continuous flow of fresh air. This innovative feature ensures high efficiency, up to 40% lower fuel consumption and is environmentally friendly. It has minimum ash. The Eko-Air-In system is the result of long-term development by the engineers at HS Flamingo and has won praise from professionals and public alike. **AQUAFLAM** boiler stoves and fireplace inserts have three types of controls available for controlling the central air intake. Manual regulation is operated using rods - this is a classic type of regulation. Another type is the basic regulation, which is powered by longlife batteries and allows for the smooth running of the damper based on the potentiometer setting. The third alternative is the luxury version, which consists of a fully-automated damper controlled by a graphical wall-mounted control panel.



wall-mounted control panel.

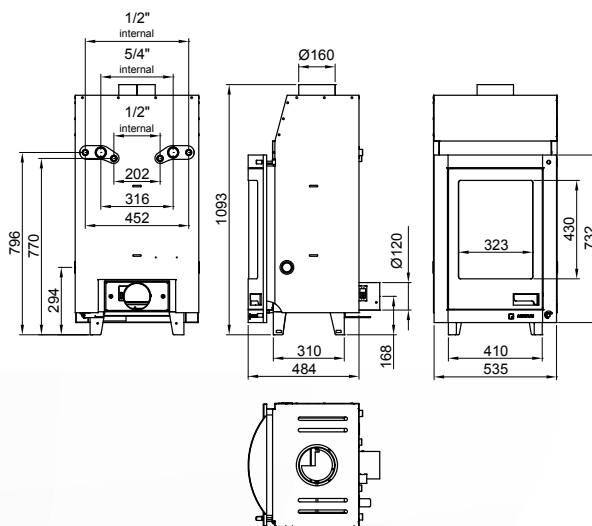


**AQUAFLAM** boiler stoves and fireplace inserts from the HS Flamingo workshop have many above-standard features. These innovative features primarily focus on improving the operation of the fireplace insert. The used materials are carefully selected in order to ensure that they are of the highest quality. In order to ensure the safety of the customer, our fireplace stoves and inserts are equipped with a standard cooling loop, and we also offer automatic and basic regulation which further improves heating safety, e.g. closing the damper during overheating and continually-open tertiary air which prevents gas from building up in the combustion chamber. **AQUAFLAM** boiler stoves and fireplace inserts meet the strictest European standards: **BlmSchV – Stufe 2, 15a B-VG, DINplus, Flamme Verte.**

# Aquaflam 7 fireplace boiler inserts



AQUAFLAM 7	FLAT	PANORAMIC	PRISMATIC
NOMINAL OUTPUT	7 kW		
OUTPUT RANGE	3 - 10 kW		
OUTPUT TO WATER	5 kW		
EFFICIENCY	80%		
FLUE DIAMETER	160 mm		
HEATING CAPACITY	60 - 200 m <sup>3</sup>		
CO EMISSIONS (AT 13% O <sub>2</sub> )	0.1 %		
AVERAGE FLUE GAS TEMPERATURE	235 °C		
VOLUME OF HEAT EXCHANGER	22 l		
WEIGHT	115 kg	120 kg	120 kg
LOG LENGTH	35 cm		
GLASS DIMENSIONS	460 x 340	360 x 450 R340	70 x 244 x 70



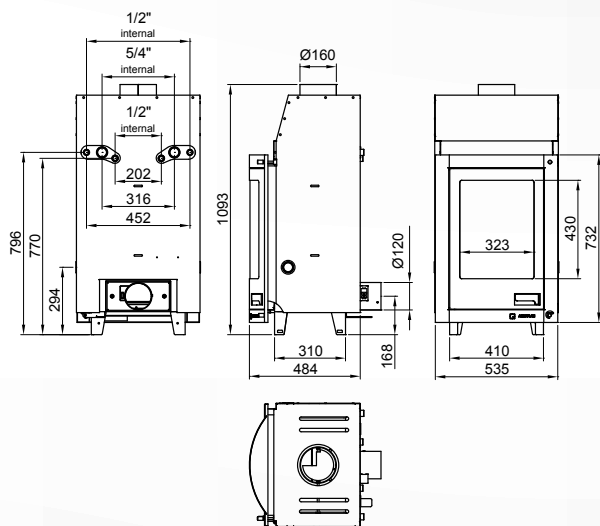


BREATHE  
VISIT THE COSS OF THE SWISS ALPS  
THE FLORIDA HOUSES





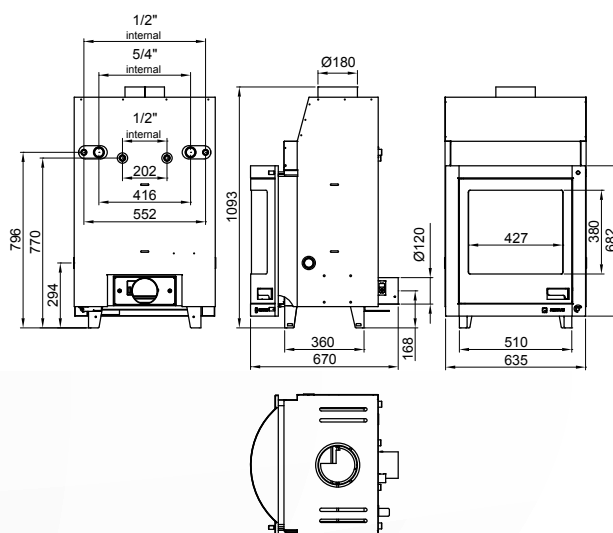
AQUAFLAM 12	FLAT	PANORAMIC	PRISMATIC
NOMINAL OUTPUT	12 kW		
OUTPUT RANGE	8 - 16 kW		
OUTPUT TO WATER	10 kW		
EFFICIENCY	80%		
FLUE DIAMETER	160 mm		
HEATING CAPACITY	160 - 320 m <sup>3</sup>		
CO EMISSIONS (AT 13% O <sub>2</sub> )	0.1 %		
AVERAGE FLUE GAS TEMPERATURE	235°C		
VOLUME OF HEAT EXCHANGER	27 l		
WEIGHT	125 kg	130 kg	130 kg
LOG LENGTH	35 cm		
GLASS DIMENSIONS	460 x 340	360 x 450 R340	70 x 244 x 70



# Aquaflam 17 fireplace boiler inserts



AQUAFLAM 17	FLAT	PANORAMIC	PRISMATIC
NOMINAL OUTPUT	17 kW		
OUTPUT RANGE	13 - 21 kW		
OUTPUT TO WATER	14 kW		
EFFICIENCY	79%		
FLUE DIAMETER	180 mm		
HEATING CAPACITY	260 - 420 m <sup>3</sup>		
CO EMISSIONS (AT 13% O <sub>2</sub> )	0.1 %		
AVERAGE FLUE GAS TEMPERATURE	255°C		
VOLUME OF HEAT EXCHANGER	32 l		
WEIGHT	150 kg	155 kg	155 kg
LOG LENGTH	45 cm		
GLASS DIMENSIONS	440 x 410	480 x 410 R340	115 / 275 / 115

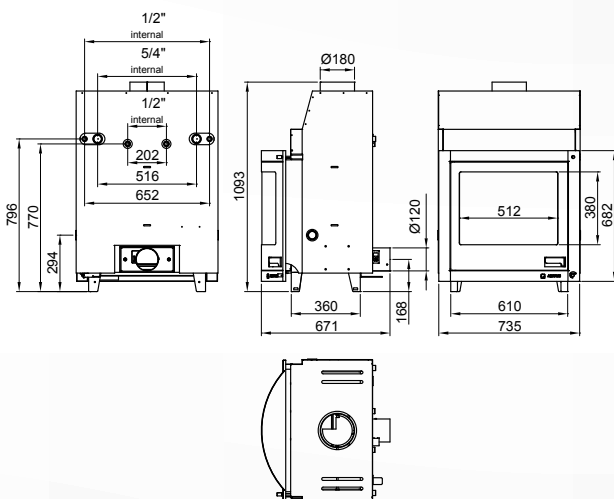








AQUAFLAM 25	FLAT	PANORAMIC	PRISMATIC
NOMINAL OUTPUT	25 kW		
OUTPUT RANGE	21 - 30 kW		
WATER OUTPUT	21 kW		
EFFICIENCY	78%		
FLUE DIAMETER	180 mm		
HEATING CAPACITY	420 - 600 m <sup>3</sup>		
CO EMISSIONS (AT 13% O <sub>2</sub> )	0.1 %		
AVERAGE FLUE GAS TEMPERATURE	278°C		
VOLUME OF HEAT EXCHANGER	36 l		
WEIGHT	170 kg	175 kg	175 kg
LOG LENGTH	55 cm		
GLASS DIMENSIONS	540 x 410	570 x 410 R462	110 / 379,2 / 110



## Hot water heating

Today, hot water heating is becoming an increasingly popular way of heating an entire home using a fireplace or stove. An Aquaflam fireplace boiler insert will heat your entire home while unveiling the beauty of a fire right in your living room.

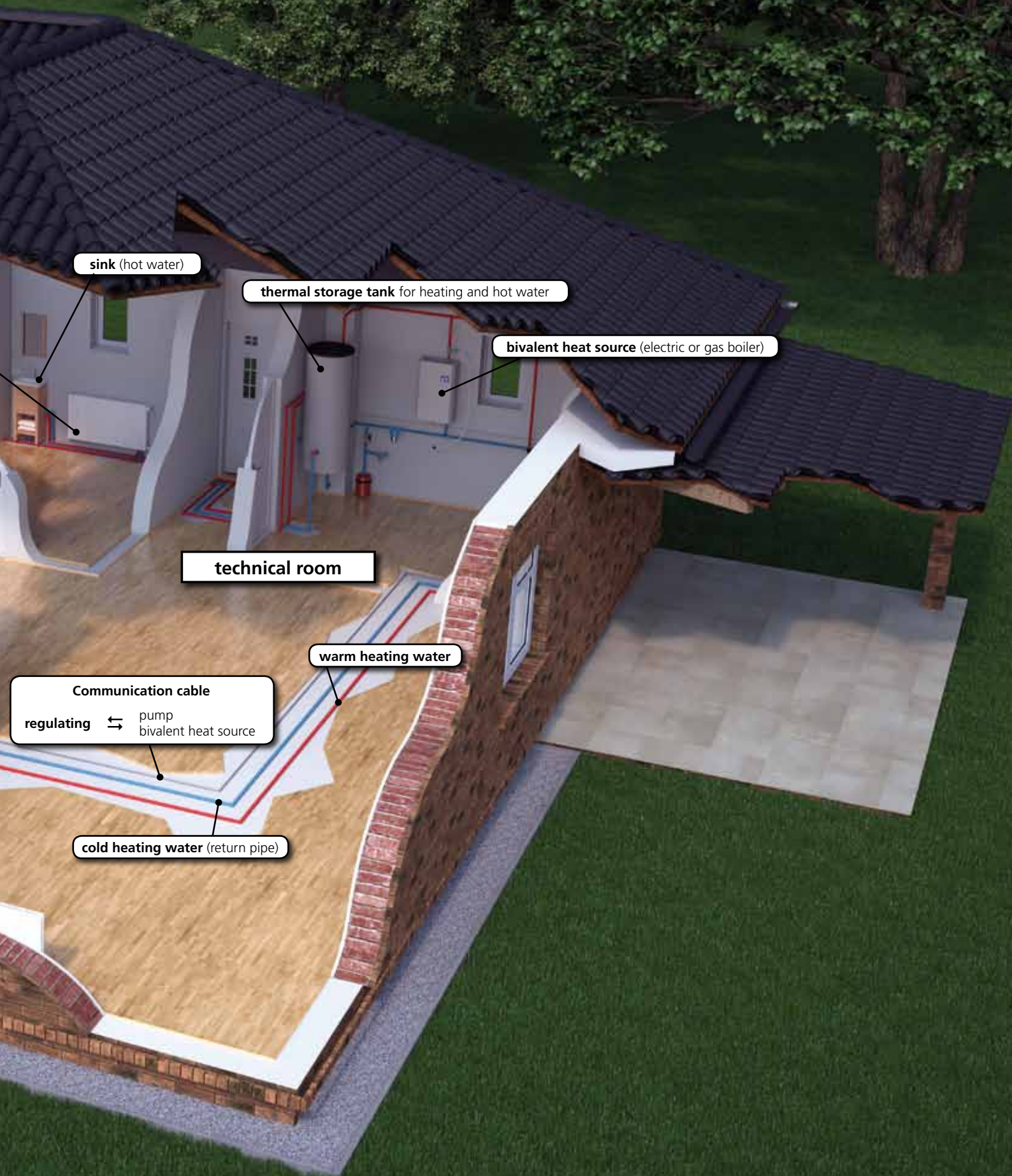
This heating method has become very sought after and this bird's-eye view will give you basic, important information about one of the ways that a fireplace insert can be connected in combination with a thermal storage tank. Furthermore, you will see what else you need to purchase for everything to work as it should.



radiators

Automatic control panel

Aquaflam fireplace boiler insert



sink (hot water)

thermal storage tank for heating and hot water

bivalent heat source (electric or gas boiler)

technical room

warm heating water

Communication cable

regulating ↔ pump  
bivalent heat source

cold heating water (return pipe)

## Aquaflam fireplace boiler inserts - **connection**

Professional installation is very important for the proper functioning of equipment, and for ensuring a long lifetime. The heating system must be equipped with the prescribed elements to ensure safe operation. The entire system should be divided into short and long range so as not to threaten the life of the exchanger. If the water temperature in the system is too low, this will lead to corrosion and shorten the life of the equipment. It is also necessary to protect the entire system from overheating. This safety feature in its basic version is installed on all Aquaflam fireplace boiler stoves and inserts. It is a cooling loop that uses a thermostatic valve to cool water in the exchanger. To ensure the continual operation of the pump, we recommend connecting it to a backup power supply (UPS). The Aquaflam automatic regulation provides precise control of pumps, the bivalent source, measurements of temperatures in the exchanger and thermal storage tank - it thereby increases the ease of operation and perfect functionality of the fireplace insert.



### Technical room

- 1 Communication cable (for automatic control)
- 2 Cold heating water returning to the insert (return)
- 3 Warm heating water from the insert
- 4 Ball valve
- 5 Pump (recommended with backup power source)
- 6 Thermostatic three-way valve
- 7 Backflow valve
- 8 Safety valve
- 9 Bivalent heat source (electric boiler, gas boiler)
- 10 Drain outlet for safety valve
- 11 Filter box
- 12 Inspection valve
- 13 Expansion vessel
- 14 Thermal storage tank (for heating and utility water)
- 15 Fresh water supply from the mains
- 16 Warm utility water (sink)
- 17 Warm heating water (radiators)
- 18 Cold heating water returning from radiators



**+** prevents **overheating**

**+** prevents **gas explosions**

## ▪ Safeguards against overheating

If the temperature rises and there is a danger of overheating this will lead to an acute growth in the pressure in the exchanger. In order to avoid damaging it, we must ensure that overheating does not occur in the fireplace. We can prevent this using a safety valve, cooling loop, backup source or by the draining of water to the sewage system with a subsequent intake from the water supply system. However, if the intake of water is dependent on electricity, we recommend that you purchase a backup power source (UPS).

## ▪ Safeguards gas explosions

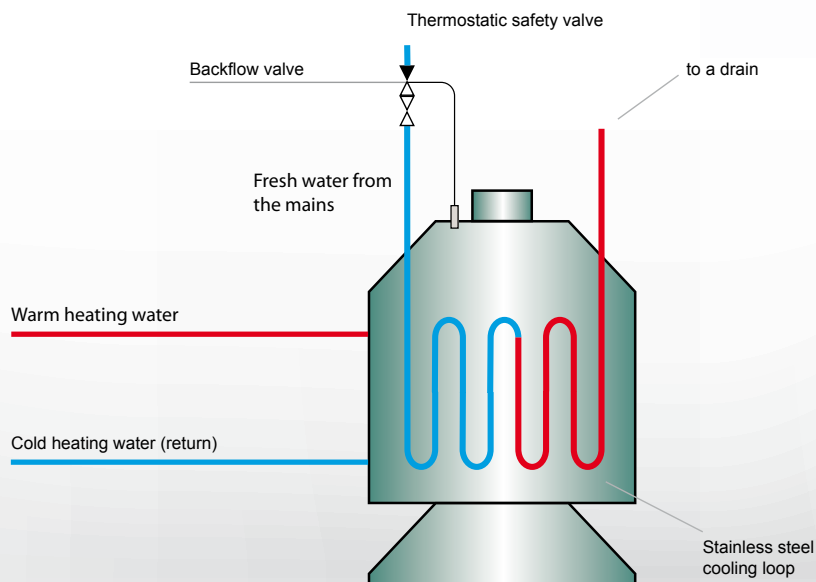
If the damper is in the closed position it will prevent the tertiary air inlet from being completely closed. Thus, if it is completely closed, a minimal amount of air still flows into the combustion chamber. This safeguard protects the user against an explosion of the built up gasses.

▪ **Safeguards against temperature increase** in the exchanger. As soon as the electronic damper sensor records a temperature increase in the exchanger, the damper will close automatically, and the air intake for combustion will be reduced to a minimum. (Only available in models with basic or automated regulation)



All AQUAFLAM boiler stoves and fireplace inserts are equipped with a cooling loop that protects the stove/fireplace insert from overheating when connected to the thermostatic valve.

## PREVENTING OVERHEATING



### Automatic regulation

Automatic regulation controls the heating circuit where the source of heat is a fireplace boiler insert, or other sources. The combustion process is automatically controlled by the damper, which works together with the wall-mounted control unit. The generated heat is dissipated into the domestic hot water tank, thermal storage tank and central heating distribution. Regulation has three sensors and is able to operate three pumps. Thanks to its graphic display, you can immediately get information about the temperatures of individual sensors, whether the pumps or other source of heat are switched on. This regulation will enable you to save a lot of time regulating the insert, increase your safety and reduce fuel consumption.

### Automatic regulation

- ease of user control
- graphic depiction of sensors, pumps and temperatures in the entire heating system
- easy installation and connection
- turning other sources of heat on or off (electric / gas boiler, etc.)
- adjusting the settings for individual values using a detailed manual
- design that will match most interiors
- controls up to three pumps + three temperature sensors
- summer / winter heating mode

### Main benefits of automatic regulation

- **regulates** combustion
- **controls** the entire heating **system**
- **saves fuel**
- **graphically shows** the temperature of sensors, status of pumps and the damper
- **shows overheating of the heating system**, closes the damper and beeps
- **improves your safety**
- **extends the lifespan of** the combustion chamber
- **a damper assembly is not necessary** (regulation is a part of the fireplace insert)
- setup in several languages



### Basic regulation

- Simple control right on the fireplace insert
- no need to connect to mains power
- Safety sensor that closes the damper if overheating occurs
- all powered by longlife batteries

### Manual regulation

- Works without electricity
- Controlled using a rod
- For those who like classic styles

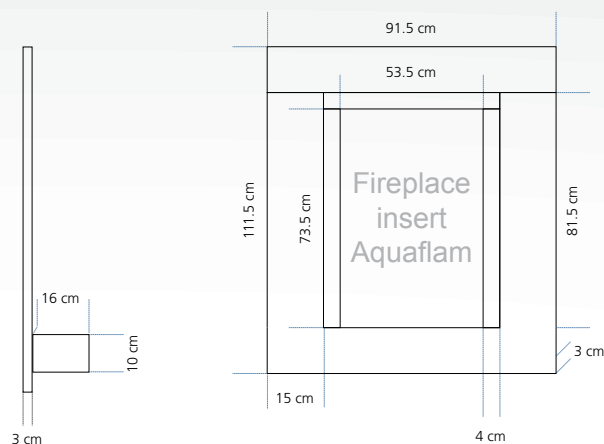




## Aquaflam fireplace surrounds

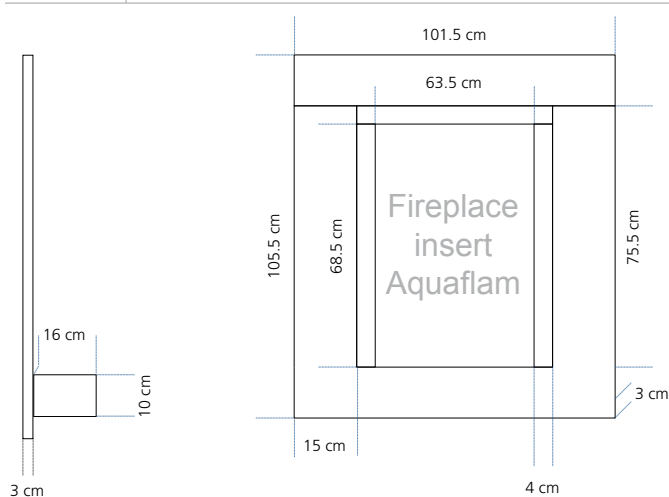
### AQUAFLAM 7, 12 DYANO

CAT. NO.	HSF32-001
MATERIAL	Polished parts: natural polished marble DYANO REALE
WEIGHT	101.5 kg



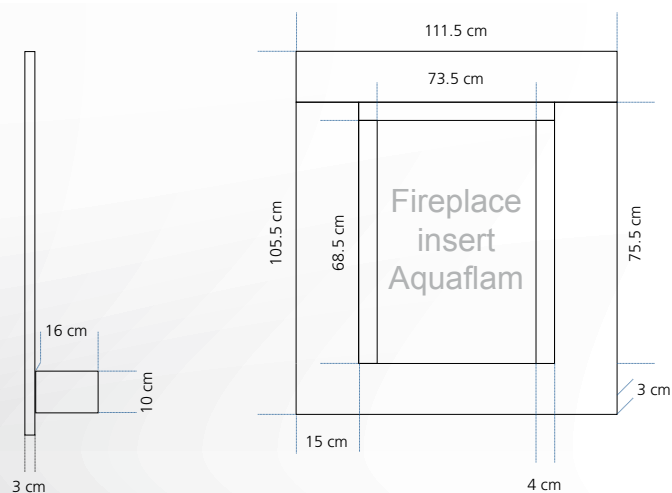
### AQUAFLAM 17 DYANO

CAT. NO.	HSF32-002
MATERIAL	Polished parts: natural polished marble DYANO REALE
WEIGHT	104.5 kg



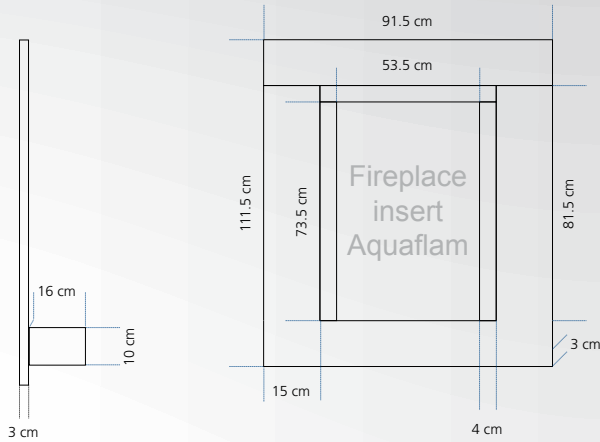
### AQUAFLAM 25 DYANO

CAT. NO.	HSF32-003
MATERIAL	Polished parts: natural polished marble DYANO REALE
WEIGHT	110.5 kg



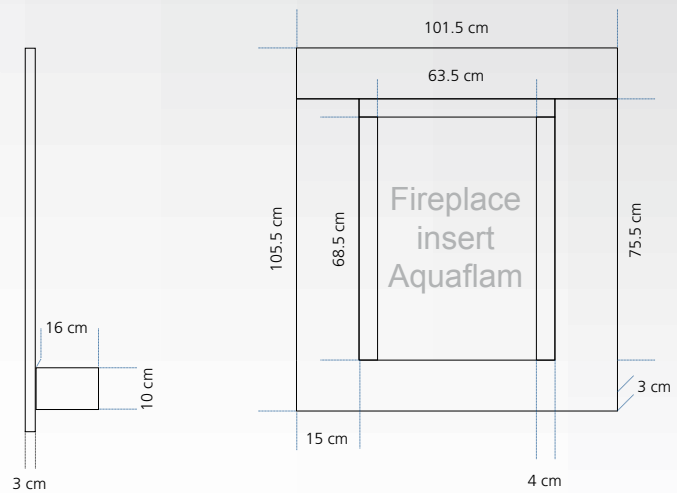
### AQUAFLAM 7, 12 THASSOS

CAT. NO.	HSF32-004
MATERIAL	Polished parts: natural marble THASSOS, natural granite ABSOLUT BLACK
WEIGHT	98.5 kg



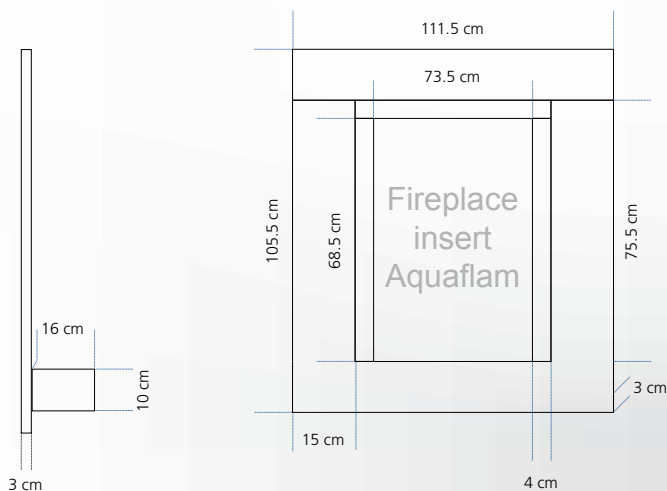
### AQUAFLAM 17 THASSOS

CAT. NO.	HSF32-005
MATERIAL	Polished parts: natural marble THASSOS, natural granite ABSOLUT BLACK
WEIGHT	103.5 kg



### AQUAFLAM 25 THASSOS

CAT. NO.	HSF32-006
MATERIAL	Polished parts: natural marble THASSOS, natural granite ABSOLUT BLACK
WEIGHT	110 kg



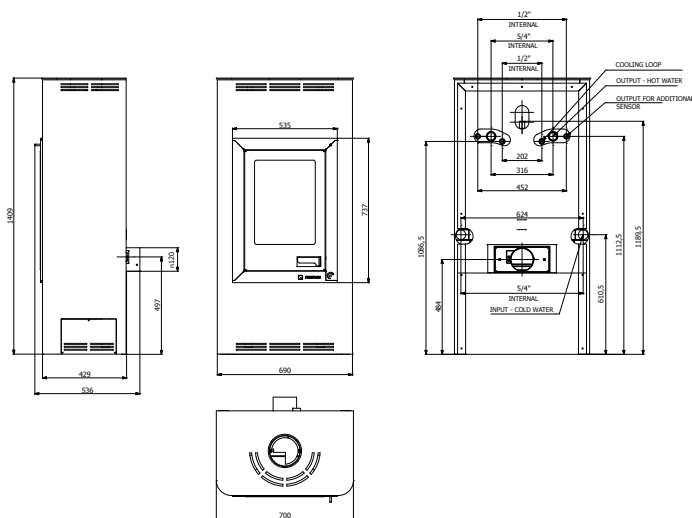
# Aquaflam 7 Wood Boiler Stoves



Bronze

## Stoves AQUAFLAM 7

Stoves AQUAFLAM 7	FLAT
NOMINAL OUTPUT	7 kW
OUTPUT RANGE	3 - 10 kW
OUTPUT TO WATER	5 kW
EFFICIENCY	80%
FLUE DIAMETER	160 mm
HEATING CAPACITY	60 - 200 m <sup>3</sup>
CO EMISSIONS (AT 13% O <sub>2</sub> )	0.1 %
AVERAGE FLUE GAS TEMPERATURE	235 °C
VOLUME OF HEAT EXCHANGER	22 l
WEIGHT	165 kg
LOG LENGTH	35 cm
GLASS DIMENSIONS	460 x 340



Black



Cream



Grey







## Aquaflam 12 Wood Boiler Stoves

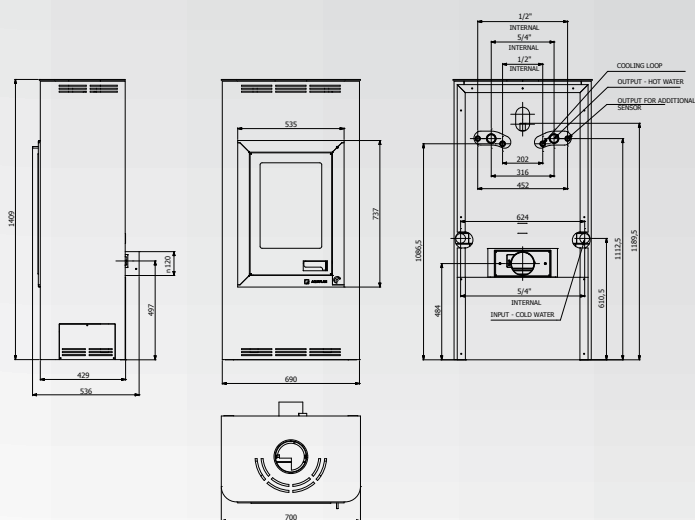


Grey

### Stoves AQUAFLAM 12

FLAT

NOMINAL OUTPUT	12 kW
OUTPUT RANGE	8 - 16 kW
OUTPUT TO WATER	10 kW
EFFICIENCY	80%
FLUE DIAMETER	160 mm
HEATING CAPACITY	160 - 320 m <sup>3</sup>
CO EMISSIONS (AT 13% O <sub>2</sub> )	0.1 %
AVERAGE FLUE GAS TEMPERATURE	235°C
VOLUME OF HEAT EXCHANGER	27 l
WEIGHT	175 kg
LOG LENGTH	35 cm
GLASS DIMENSIONS	460 x 340



Bronze



Cream



Black



# Aquaflam 17 Wood Boiler Stoves

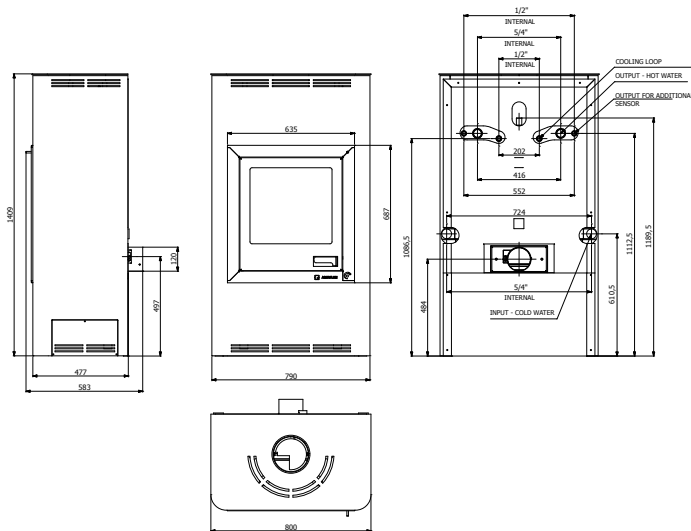


Cream

## Stoves AQUAFLAM 17

FLAT

NOMINAL OUTPUT	17 kW
OUTPUT RANGE	13 - 21 kW
OUTPUT TO WATER	14 kW
EFFICIENCY	79%
FLUE DIAMETER	180 mm
HEATING CAPACITY	260 - 420 m <sup>3</sup>
CO EMISSIONS (AT 13% O <sub>2</sub> )	0.1 %
AVERAGE FLUE GAS TEMPERATURE	255°C
VOLUME OF HEAT EXCHANGER	32 l
WEIGHT	207 kg
LOG LENGTH	45 cm
GLASS DIMENSIONS	440 x 410



Bronze



Black



Grey







# Aquaflam 25 Wood Boiler Stoves

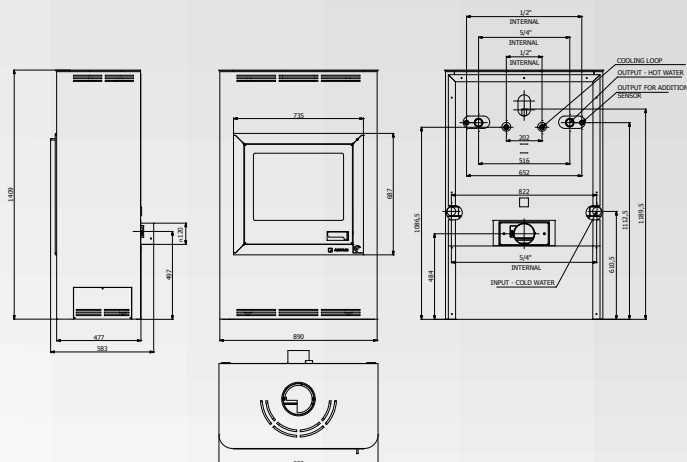


Black

## Stoves AQUAFLAM 25

FLAT

NOMINAL OUTPUT	25 kW
OUTPUT RANGE	21 - 30 kW
OUTPUT TO WATER	21 kW
EFFICIENCY	78%
FLUE DIAMETER	180 mm
HEATING CAPACITY	420 - 600 m <sup>3</sup>
CO EMISSIONS (AT 13% O <sub>2</sub> )	0.1 %
AVERAGE FLUE GAS TEMPERATURE	278°C
VOLUME OF HEAT EXCHANGER	36 l
WEIGHT	228 kg
LOG LENGTH	55 cm
GLASS DIMENSIONS	540 x 410



Bronze



Cream



Grey



High quality  
boiler stoves and  
fireplace inserts

Your dealer:

**HS Flamingo s.r.o.**, Mírové náměstí 98, CZ - 550 01 Broumov, Czech Republic  
tel.: +420 491 422 647, fax: +420 491 521 140  
e-mail: [export@hsflamingo.cz](mailto:export@hsflamingo.cz), [www.hsflamingo.com](http://www.hsflamingo.com)